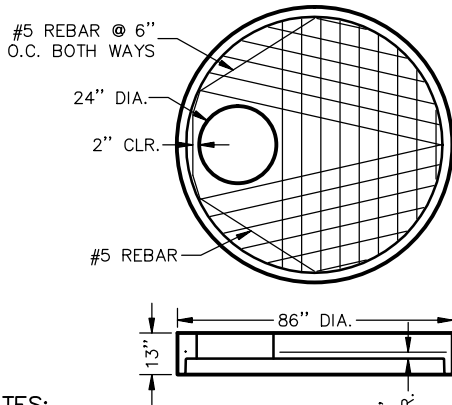


72" DIA. MANHOLE FLAT TOPS WITH JOINT

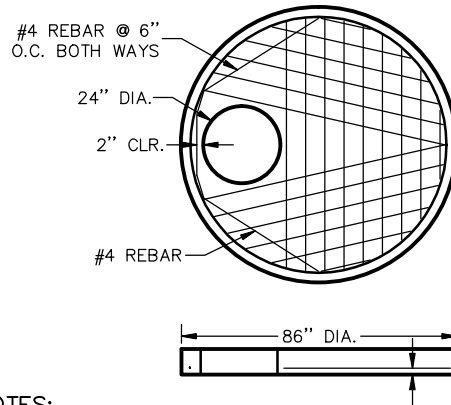


NOTES:

1. CONFORMS TO ASTM C-478
2. MEETS H-20 LOAD RATING

WEIGHT:  
4,113 LBS.

72" DIA. MANHOLE FLAT TOPS WITH NO JOINT

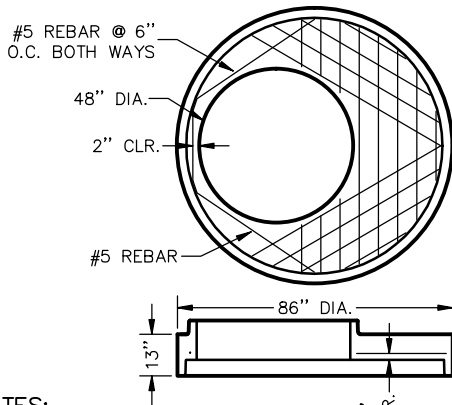


NOTES:

1. CONFORMS TO ASTM C-478
2. MEETS H-20 LOAD RATING

WEIGHT:  
3,171 LBS.

60" DIA. MANHOLE REDUCING SLAB

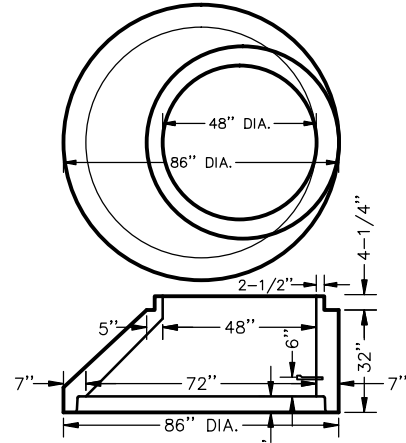


NOTES:

1. CONFORMS TO ASTM C-478
2. MEETS H-20 LOAD RATING

WEIGHT:  
X,XXX LBS.

60" DIA. MANHOLE REDUCING CONE

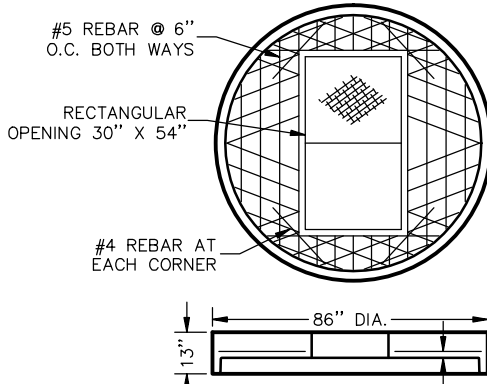


NOTES:

1. CONFORMS TO ASTM C-478
2. MEETS H-20 LOAD RATING

WEIGHT:  
4,000 LBS.

60" DIA. MANHOLE FLAT TOP WITH HATCH OR RECTANGULAR OPENING

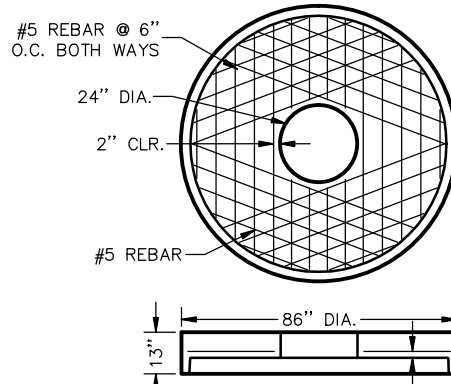


NOTES:

1. CONFORMS TO ASTM C-478
2. MEETS H-20 LOAD RATING

WEIGHT:  
4,113 LBS.

60" DIA. MANHOLE FLAT TOP WITH 24" HOLES CENTERED



NOTES:

1. CONFORMS TO ASTM C-478
2. MEETS H-20 LOAD RATING

WEIGHT:  
4,113 LBS.

48" DIA. OUTLET CONTROL STRUCTURE



FILE NO.: 151122E

DATE: 03/30/2015 PG# 24

O: 616.453.9429  
F: 616.453.7580  
2500 3 MILE ROAD NW  
GRAND RAPIDS, MI 49534-1314  
www.grandvalleyconcrete.com