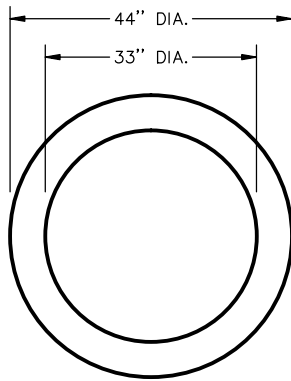
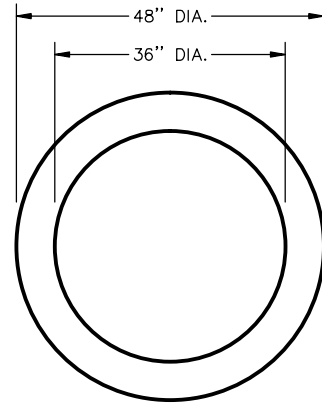


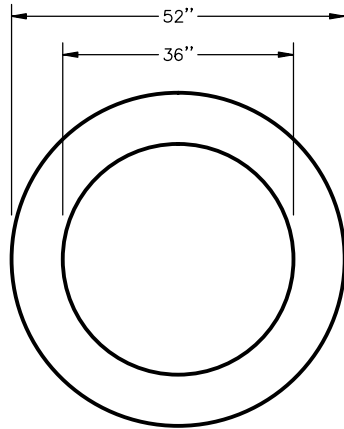
2" ADJUSTING RING



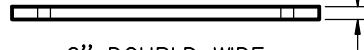
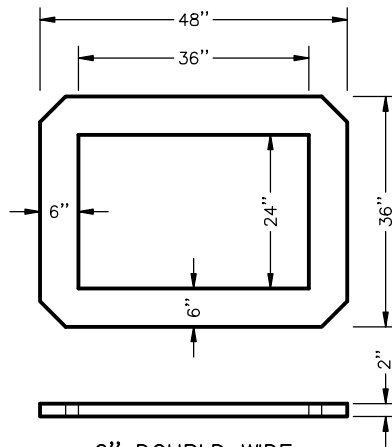
2" ADJUSTING RING



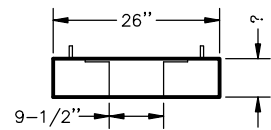
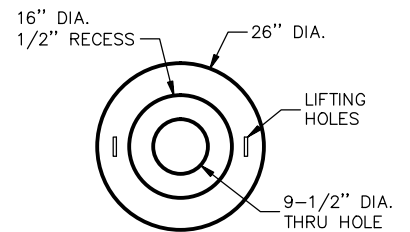
2" ADJUSTING RING



2" WIDE ADJUSTING RING



2" DOUBLD WIDE ADJUSTING RING



VALVE BOX CASE

MISCELLANEOUS MANHOLE PRODUCTS



GRAND VALLEY CONCRETE PRODUCTS

FILE NO.: 151122E

DATE: 04/01/15

PG# 34B

O: 616.453.9429
 F: 616.453.7580
 2500 3 MILE ROAD NW
 GRAND RAPIDS, MI 49534-1314
 www.grandvalleyconcrete.com